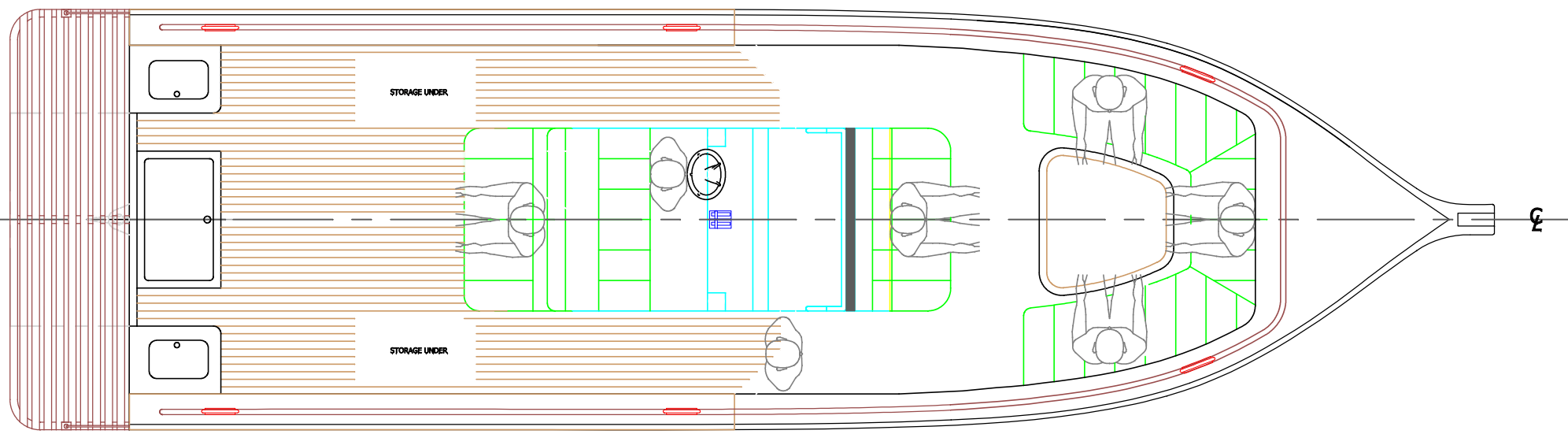
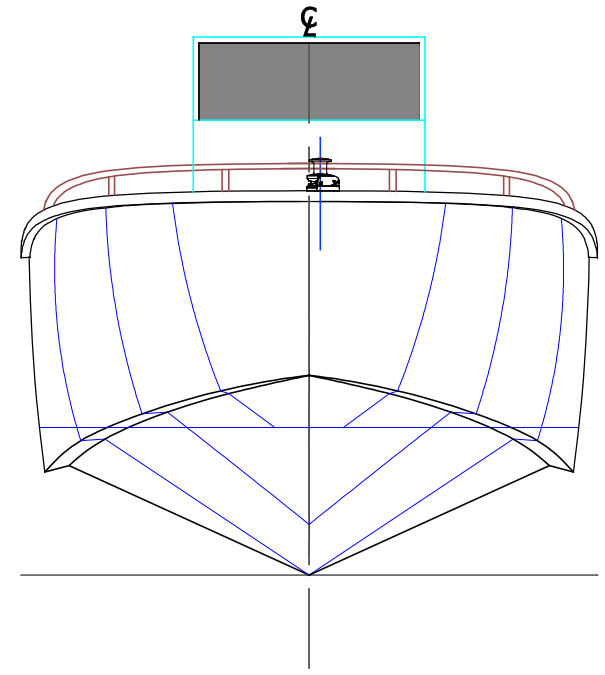
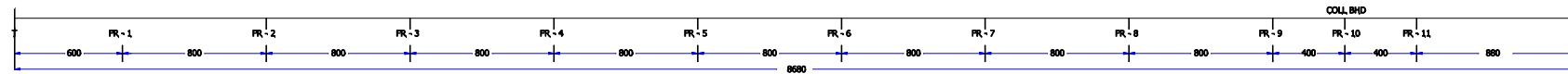
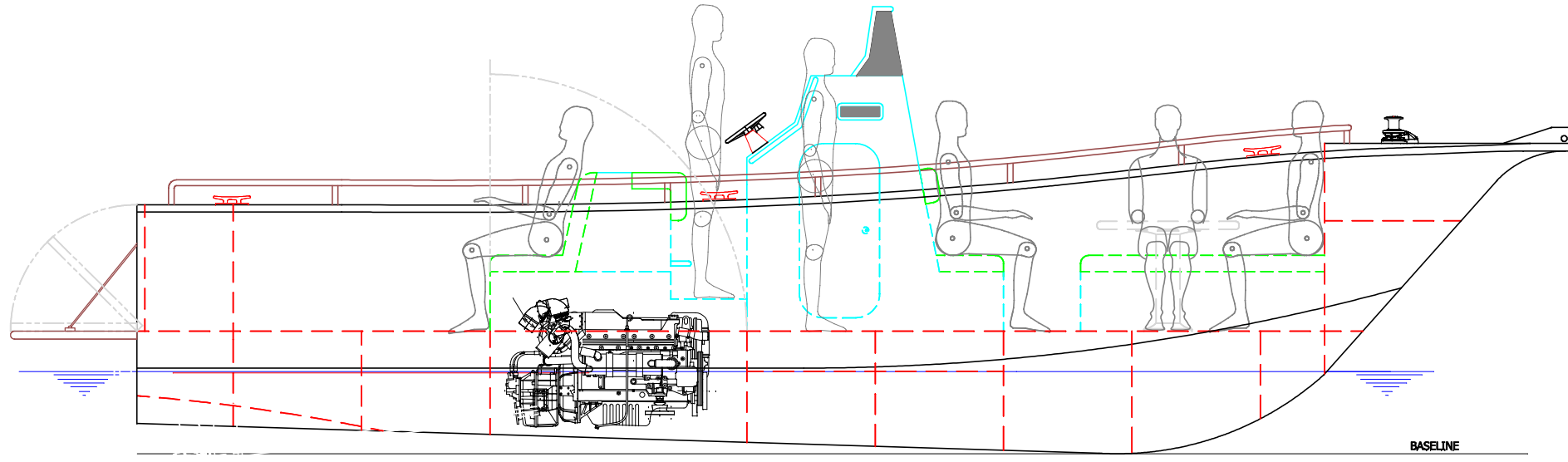
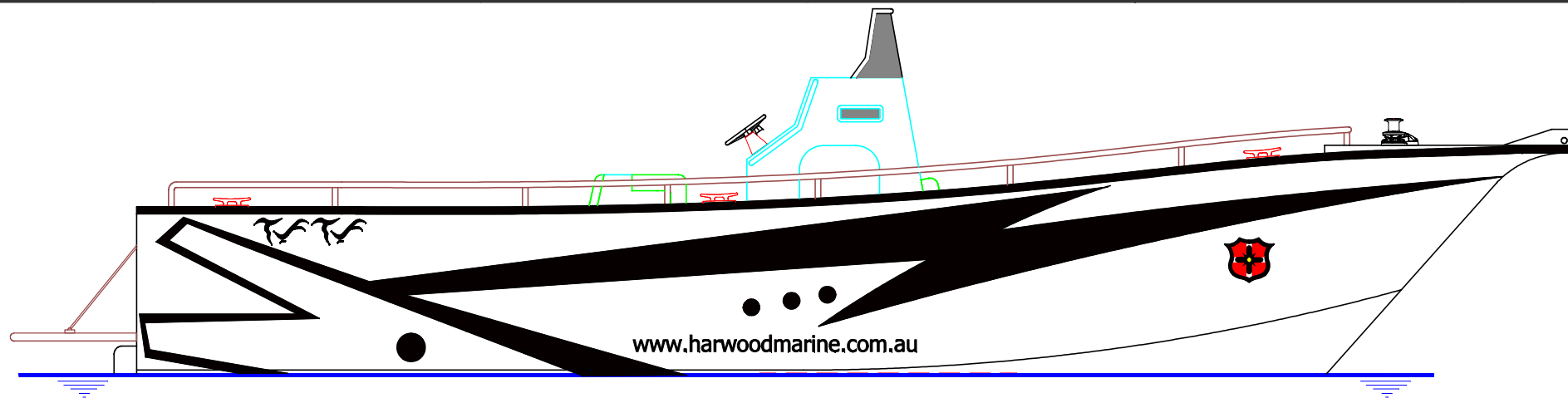


Length LO/A	: 8.68 m	Bottom Plate	: mm
Length LWL	: 6.94 m	Chine Plate	: mm
Beam, B	: 2.74 m	Side Plate	: mm
Depth, d	: 0.763 m	Transom	: mm
Fuel	:	Gunwale	: mm
Displacement, DLS	: kg	Main Deck	: mm
Draft, TLS	: mm	Material	: 5083 Aluminium
Displacement, DDL	: kg	Speed, VCRUISING	: - knots
Draft, TDL	: 406 mm	Speed, VMAX	: - knots



APPROVED	SB								
CHECKED	AP								
DRAWN	JA								
ISSUE	DATE	MODIFICATION							
C	04/08/2010	PRELIMINARY							

UNLESS OTHERWISE SPECIFIED DIMENSIONS ARE IN MILLIMETERS
 GENERAL TOLERANCE ± 1.0MM & ± 1 DEGREE, UNLESS OTHERWISE STATED

PRIVATE AND CONFIDENTIAL
 THIS DRAWING IS CONFIDENTIAL AND MUST NOT BE USED FOR MANUFACTURE OR COPIED OR COMMUNICATED TO ANY OTHER PERSON OR COMPANY WITHOUT THE EXPRESS PERMISSION OF HARWOOD SLIPWAY & ENGINEERING

HARWOOD MARINE
 162-164 River Road, Harwood Island NSW 2465 Australia
 Tel: +61 (02) 6646 4222 Fax: +61 (02) 6646 4472
 Email: info@harwoodmarine.com.au
 www.harwoodmarine.com.au

CEBU OFFICE
 Mezzanine 1
 Don Alfredo Gothong Centre,
 North Reclamation Area, Cebu
 City 6000, Philippines
 Tel.: +63 32 236 0212

TITLE:	GENERAL ARRANGEMENT		
DRAWING NO.:	1005-01-01		
PROJECT:	8.7m ALUMINIUM BOAT		
DATE:	04/08/2010	SCALE:	1:40
SHEET:	1	/	1

