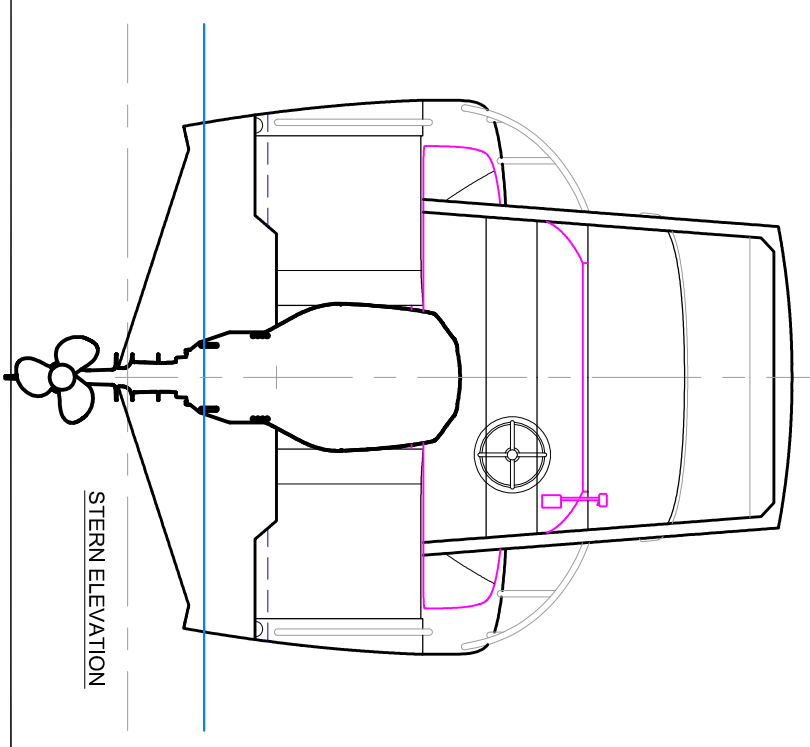
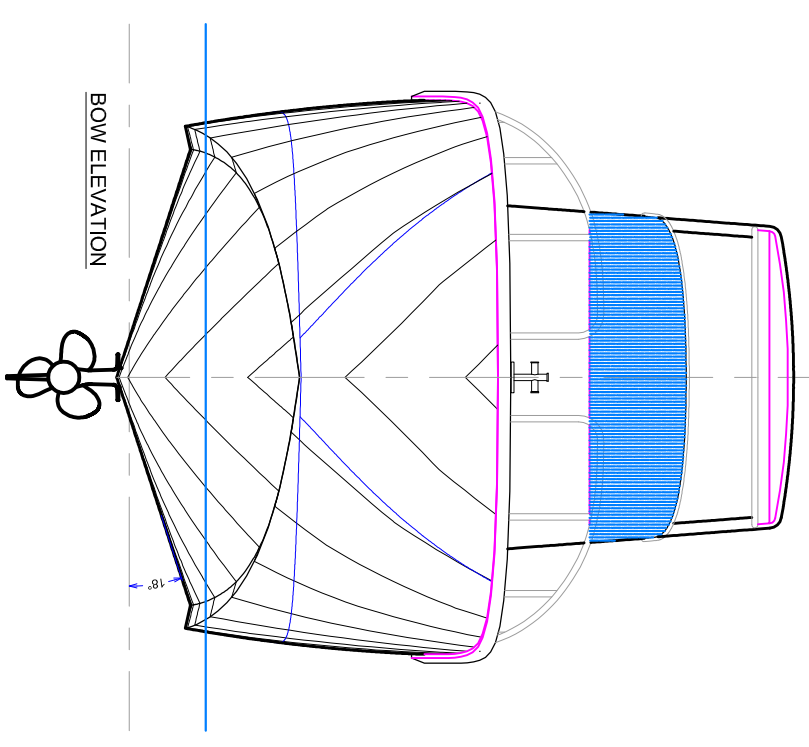
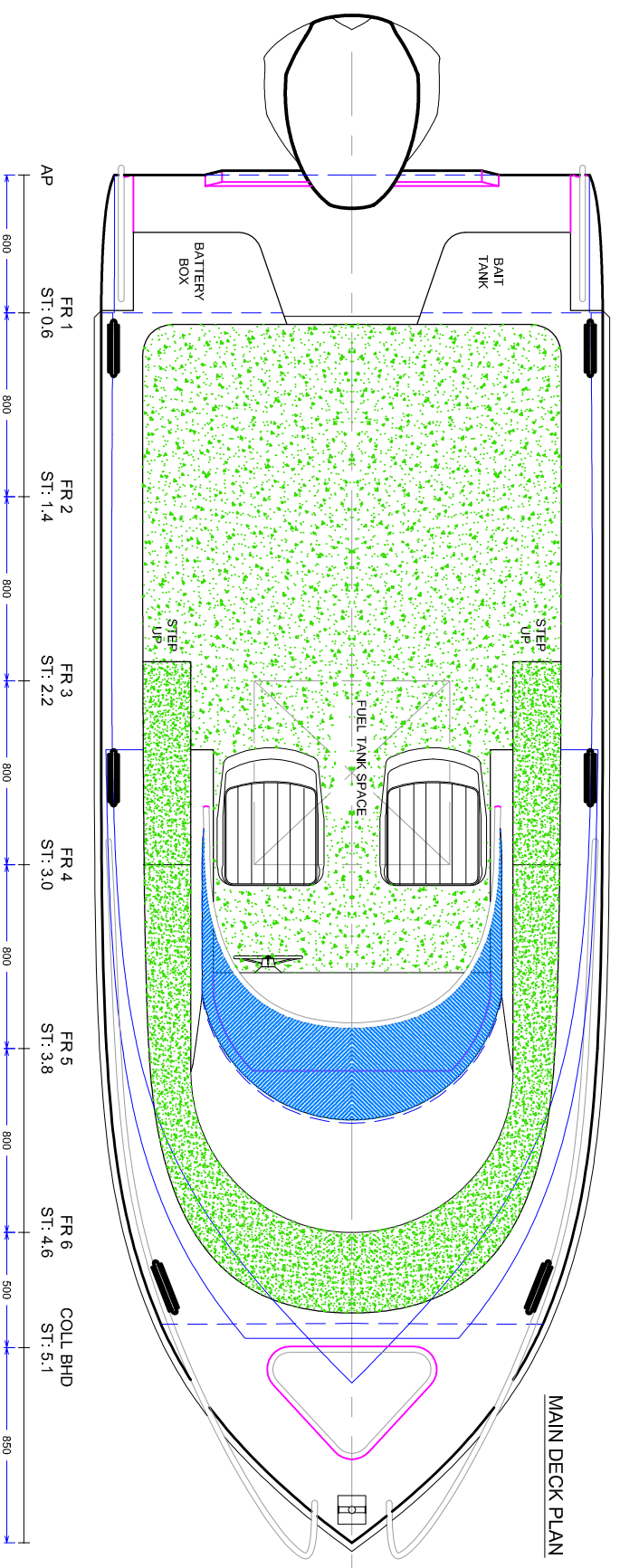
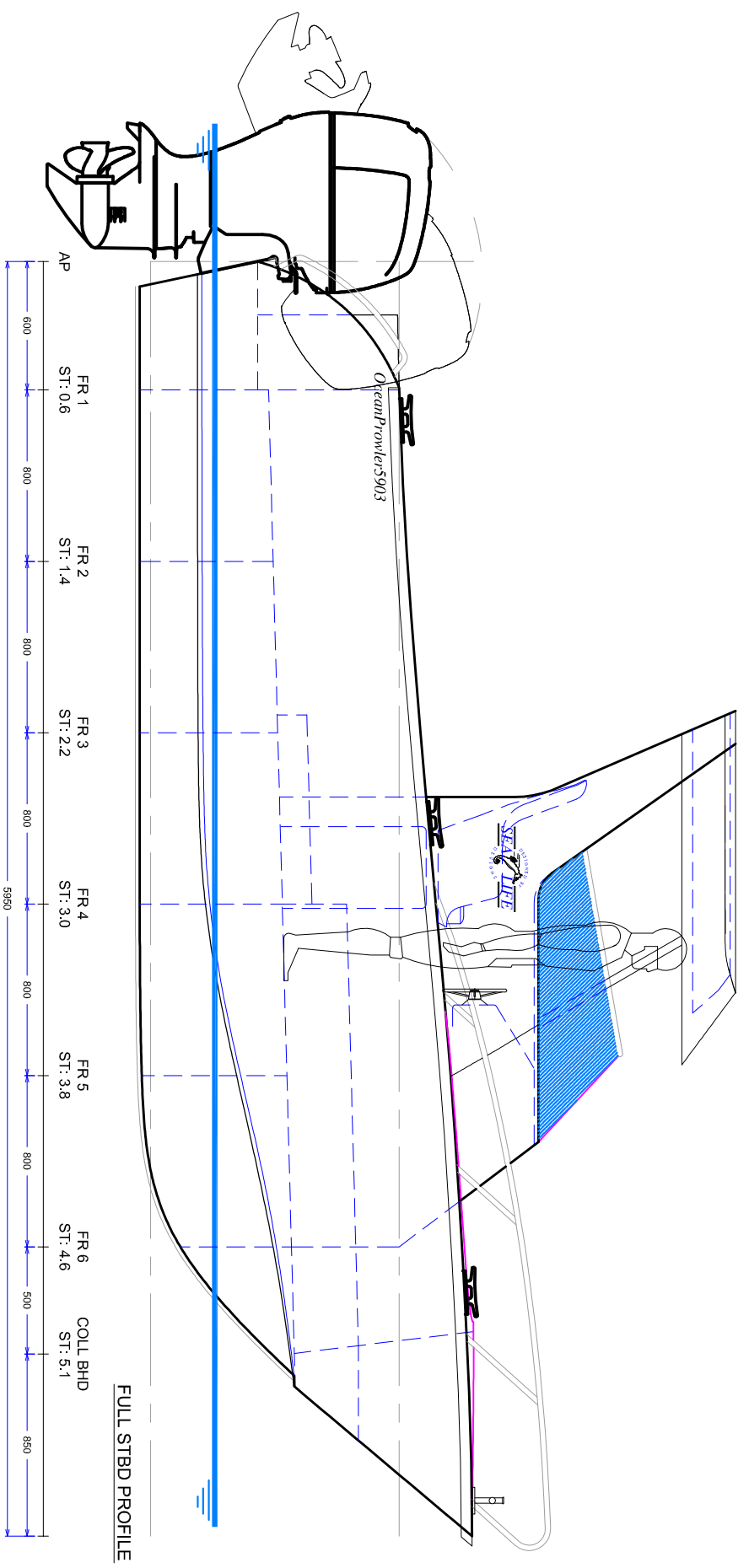


Rev.	Amendment	Initial	Date



Length L <sub>OA</sub>	: 5.95 m	Bottom Plate	: 5mm
Length L <sub>WL</sub>	: 4.80 m	Chine Plate	: 4mm
Beam, B	: 2.20 m	Side Plate	: 4mm
Depth, d	: 0.60 m	Transom	: 5mm
Fuel	: --- Litres	Gunwale	: 4mm
Displacement, Δ <sub>S</sub>	: 1000 kg	Main Deck	: 4mm
Drift, T <sub>S</sub>	: 280 mm	Material	: 5083 Aluminium
Displacement, Δ <sub>SWL</sub>	: 1450 kg	Hull Frames	: 3mm - 5251-H32
Drift, T <sub>DWL</sub>	: 320 mm	Hull Longitudinals	: 3mm - 5251-H32
Displacement, Δ <sub>MAX</sub>	: ---	Speed, V <sub>CRUISING</sub>	: 25 knots
Drift, T <sub>MAX</sub>	: ---	Speed, V <sub>MAX</sub>	: 35 knots

The Fees paid are for ONE (1) Vessel ONLY.  
 NO other vessels are to be built using these plans or information contained herein without the express permission of Sealife Designs & payment of further fees.

This Design including specifications, drawings & its contents are the exclusive property of Sealife Designs & is furnished on a confidential basis, with the expressed agreement that it will not be sold, transferred, copied, traced, photographed or reproduced in any manner whatsoever in whole or part, without the written consent of Sealife Designs. The recipient agrees not to disclose to any other party information herein, nor to use such information except for the purposes contracted for.

Sheet Title:			
<b>GENERAL ARRANGEMENT</b>			
<b>OCEAN PROWLER 5903</b>			

Dwg No:	OP5903-01-001	Sheet:	1 / 1	Scale:	at A3
Date:	7/06/10	Drawn:	TW	Designed:	SLD

1469 Sandgate Rd, PO Box 147, Nundah Brisbane, 4012.  
 PH: 07-3266 5111, FAX: 07 3266 5211  
 Email: info@sealifedesigns.com www.sealifedesigns.com