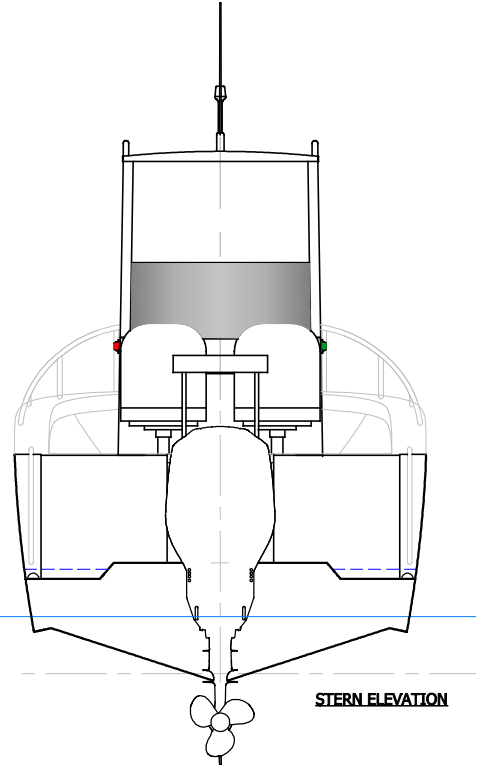
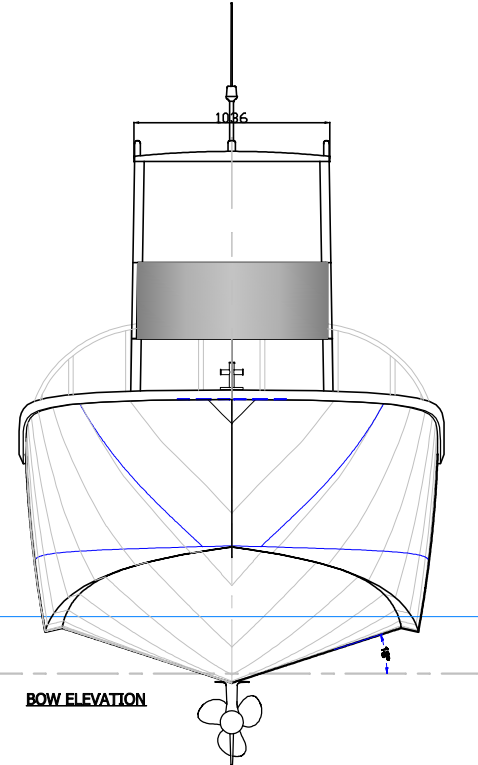
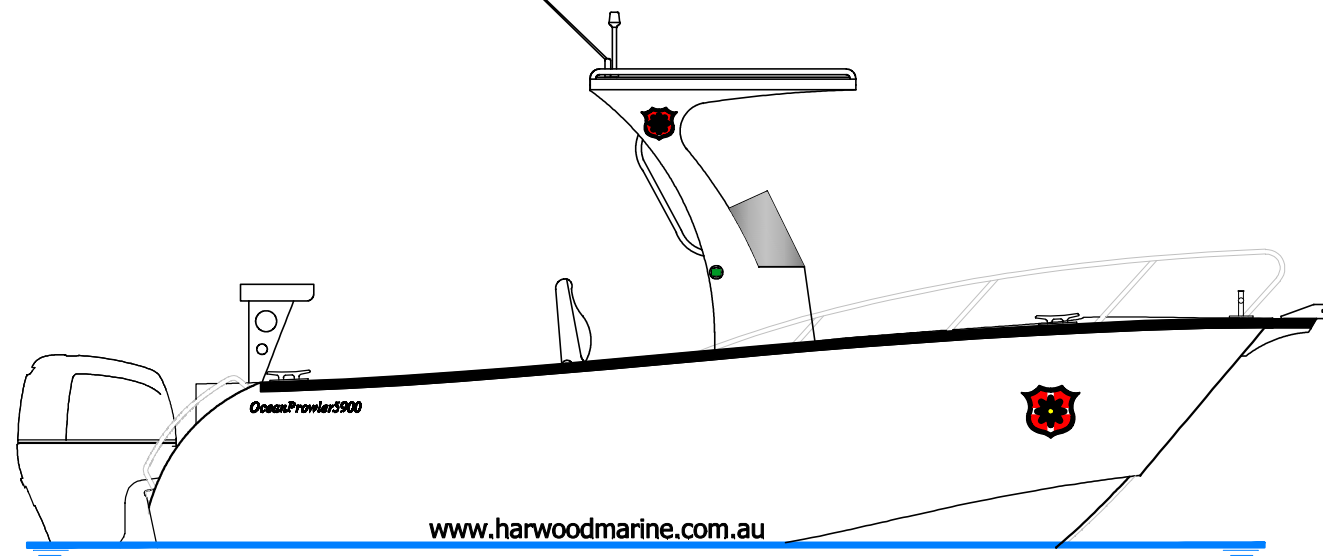
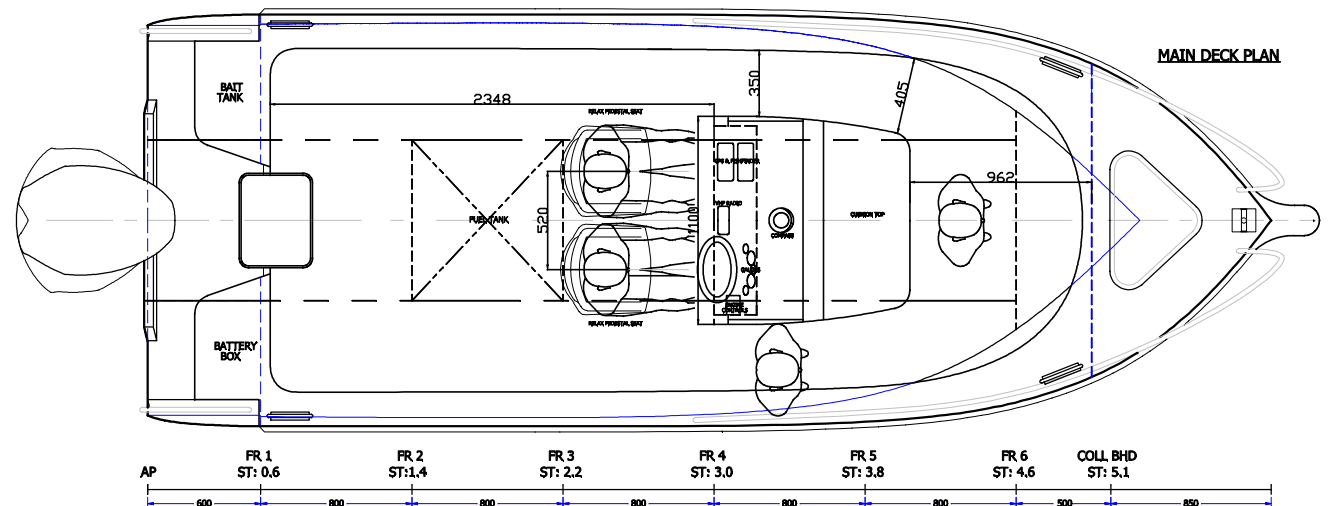
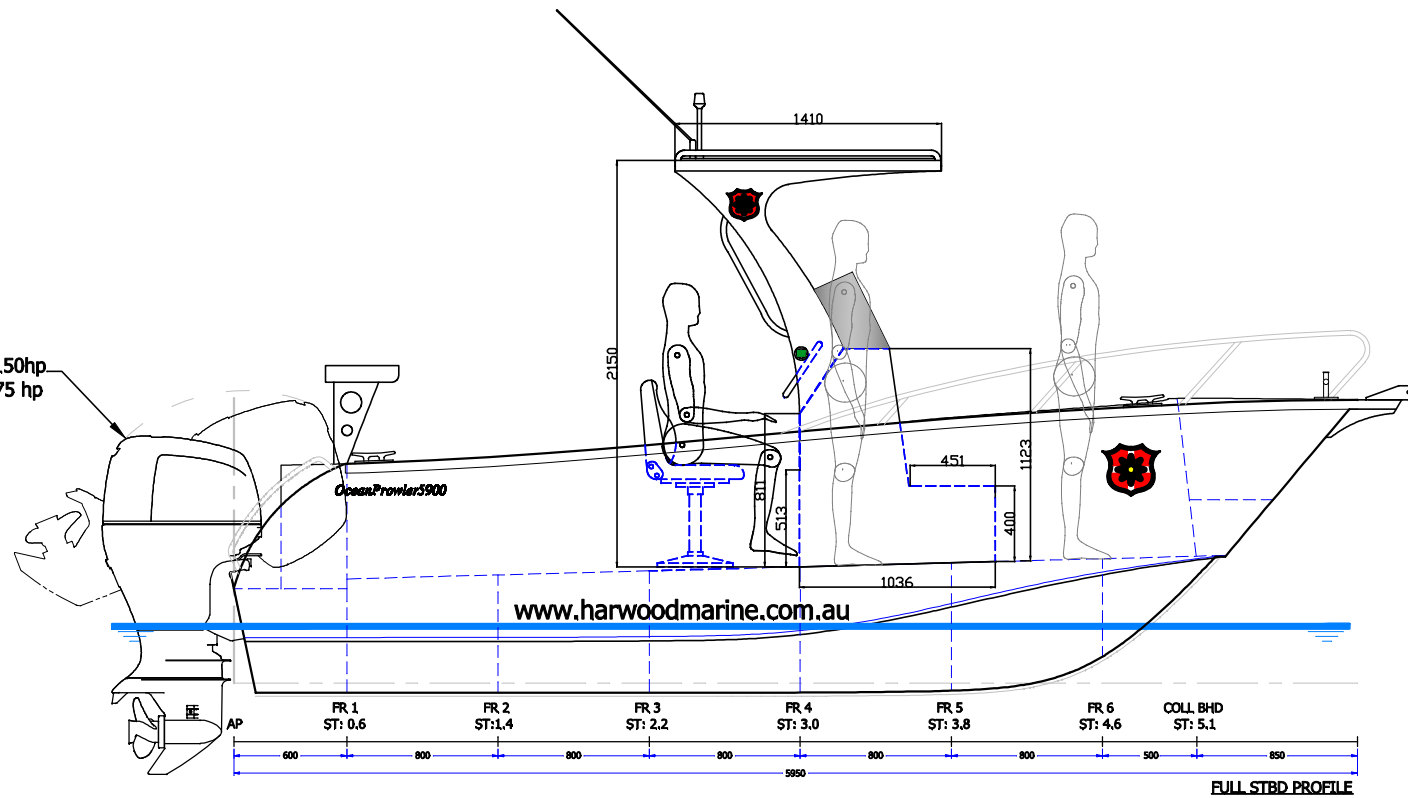


SEALIFE OCEAN PROWLER 5.9 MTR.



Motor : 1 x 90 - 150hp
2 x 50 - 75 hp



Length Lo/A	: 5.95 m	Bottom Plate	: 5mm
Length Lw.	: 4.88 m	Chine Plate	: 4mm
Beam, B	: 2.20 m	Side Plate	: 4mm
Depth, d	: 0.55 m	Transom	: 5mm
Fuel	: 100 Liters	Gunwale	: 3mm
Displacement, D _{Ls}	: 750 kg	Main Deck	: 4mm
Draft, T _{Ls}	: 230 mm	Material	: 5083 Aluminium
Displacement, D _{owL}	: 1200 kg	Hull Frames	: 3mm - 5251-H32
Draft, T _{owL}	: 285 mm	Hull Longitudinals	: 3mm - 5251-H32
		Speed, V _{CRUISING}	: 22 knots
		Speed, V _{MAX}	: - knots

HULL DESIGN BY SEALIFE DESIGNS

1469 Sandgate Rd, PO Box 147, Nundah Brisbane. 4012.
PH: 07-3266 5111, FAX: 07 3266 5211
Email: info@sealifedesigns.com www.sealifedesigns.com



				APPROVED	UNLESS OTHERWISE SPECIFIED DIMENSIONS ARE IN MILLIMETERS GENERAL TOLERANCE ± 1.0MM & ± 1 DEGREE, UNLESS OTHERWISE STATED PRIVATE AND CONFIDENTIAL THIS DRAWING IS CONFIDENTIAL AND MUST NOT BE USED FOR MANUFACTURE OR COPIED OR COMMUNICATED TO ANY OTHER PERSON OR COMPANY WITHOUT THE EXPRESS PERMISSION OF HARWOOD SLIPWAY & ENGINEERING	HARWOOD MARINE 162-164 River Road, Harwood Island NSW 2465 Australia Tel: +61 (02) 6646 4222 Fax: +61 (02) 6646 4472 Email: info@harwoodmarine.com.au www.harwoodmarine.com.au CEBU OFFICE Mezzanine 1 Don Alfredo Gothong Centre, North Reclamation Area, Cebu City 6000, Philippines Tel.: +63 32 238 0212	TITLE:		
				SB			GA for HSE Center Control Hardtop		
				CHECKED			DRAWING NO.: 1003-01-01 B		
				AP			PROJECT: 5.9m OCEAN PROWLER		
B	01/09/2010	HULL DESIGNER INFORMATION		DRAWN		DATE: 13/07/2010	SCALE: 1:40	SHEET: 1 / 1	A3
A	13/07/2010	PRELIMINARY		JA					
ISSUE	DATE	MODIFICATION	MOD.	APPR.					